

Jin-Soo Kim
(jinsoo.kim@snu.ac.kr)

Systems Software &
Architecture Lab.
Seoul National University

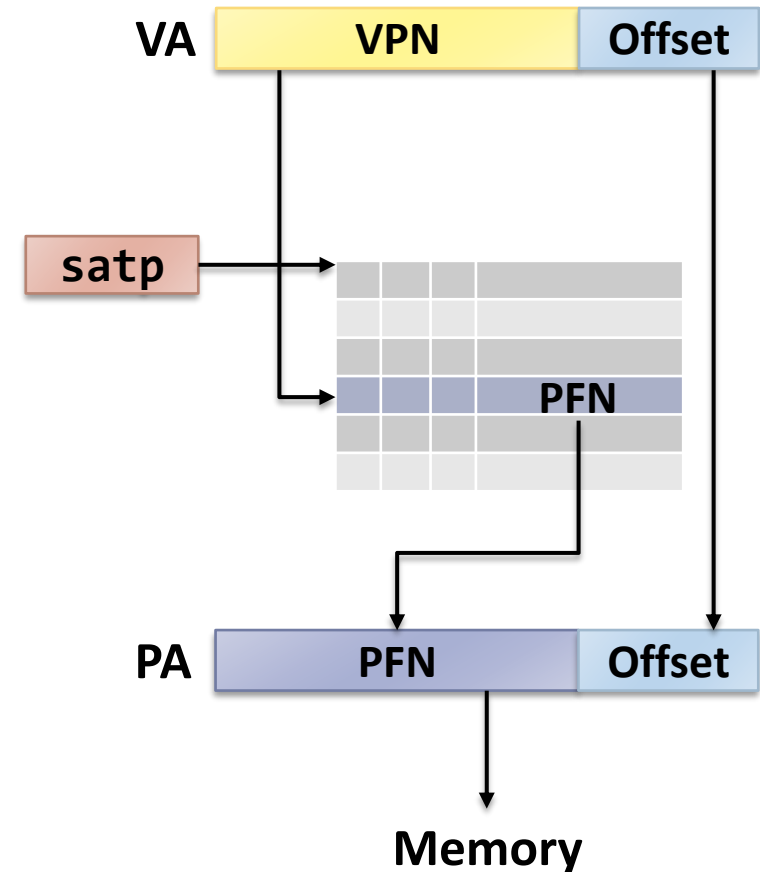
Fall 2023

TLB



Address Translation Steps

- For each memory reference,
 - Extract VPN from VA
 - Calculate the address of PTE
 - Read the PTE from memory
 - Extract PFN from PTE
 - Build PA
 - Read contents of PA from memory into register
- Which steps are expensive?



The Problem

- **Address translation is too slow**
 - A simple linear page table doubles the cost of memory lookups
 - One for the page table, another to fetch the data
 - Multi-level page tables increase the cost further

- **Goal: make address translation fast**
 - Make fetching from a virtual address about as efficient as fetching from a physical address

TLB

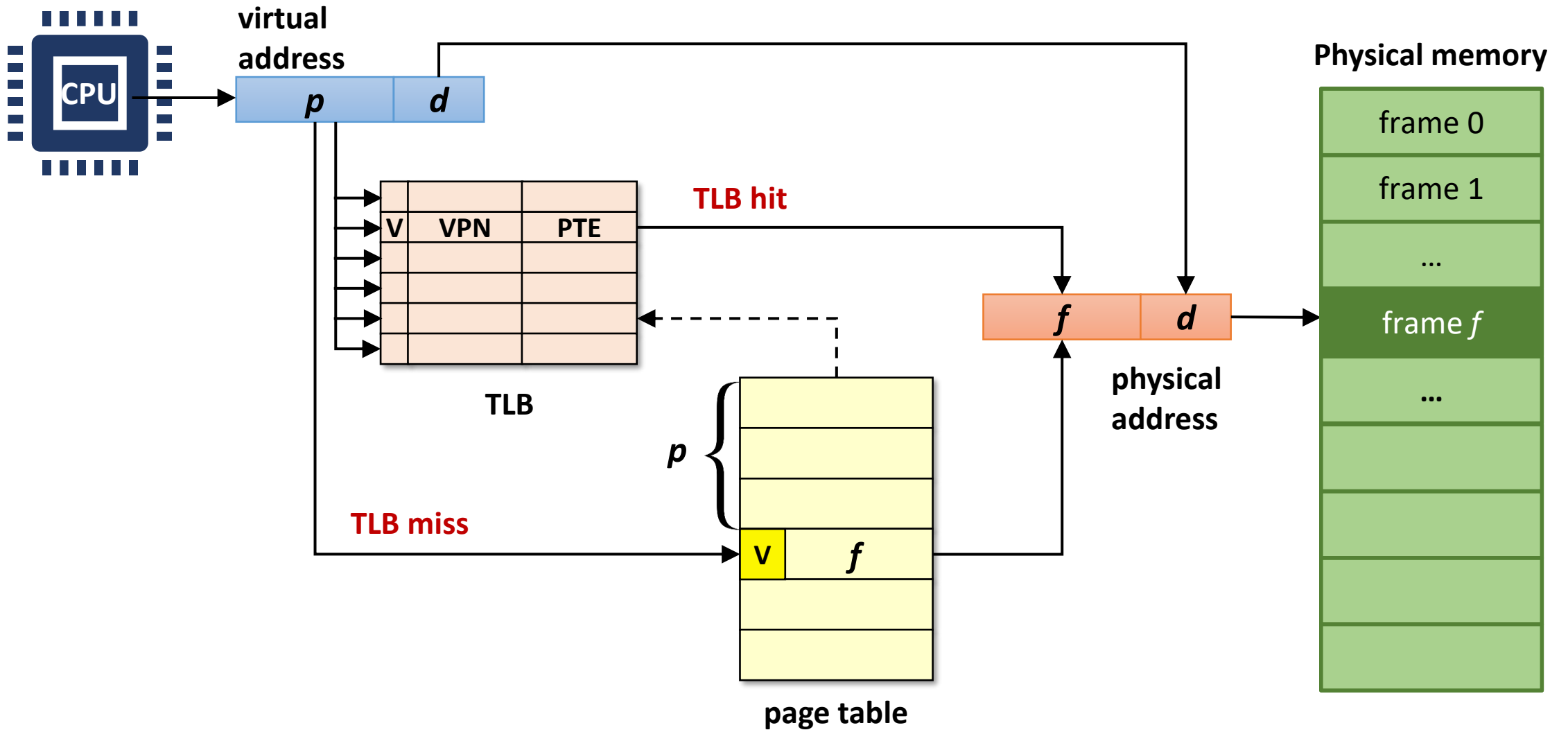
- Translation _____ Buffer
 - A hardware cache of popular virtual-to-physical address translations
 - Essential component which makes virtual memory possible
- TLB exploits locality
 - **Temporal locality**: an instruction or data item that has been recently accessed will likely be re-accessed soon
 - Instructions and data accesses in loops, ...
 - _____ **locality**: if a program accesses memory at address x , it will likely soon access memory near x
 - Code execution, array traversal, stack accesses, ...

TLB Organization

- TLB is implemented in hardware
 - Processes only use a handful of pages at a time
 - 16~256 entries in TLB is typical
 - Usually fully associative
 - All entries looked up in parallel
 - But may be set associative to reduce latency
 - Replacement policy: LRU (Least Recently Used)
 - TLB actually caches the whole PTEs, not just PFNs

Valid	Tag (VPN)	Value (PTE)					
1	0x1000	V	R	M	Prot	PFN	0x1234
1	0x2400	V	R	M	Prot	PFN	0x8800
0	-	-					

Address Translation with TLB



Handling TLB Misses

■ Software-managed TLB

- CPU traps into OS upon TLB miss
- OS finds right PTE and loads it into TLB
- CPU ISA has (privileged) instructions for TLB manipulation
- Page tables can be in any format convenient for OS (flexible)

■ Hardware-managed TLB

- CPU knows where page tables are in memory
 - e.g., CR3 (or PDBR) register in IA-32 / Intel 64, satp in RISC-V
- OS maintains page tables
- CPU “walks” the page table and fills TLB
- Page tables have to be in hardware-defined format

TLB on Context Switches

- **Flush TLB on each context switch**
 - TLB is flushed automatically when CR3 is changed in a hardware-managed TLB
 - Some architectures support the pinning of pages into TLB
 - For pages that are globally shared among processes (e.g., kernel pages)
 - MIPS, Intel, etc.
- **Track which entries are for which process**
 - Tag each TLB entry with an ASID (Address Space ID)
 - A privileged register holds the ASID of the current process
 - MIPS supports 8-bit ASID
 - Why not use PID?
 - What if there are more than 256 processes running?
 - RISC-V supports up to 16-bit ASID for Sv39/Sv48 (stored in satp register)

TLB on Multi-core

■ TLB coherence

- Page-table changes may leave stale entries in the TLBs
- Flushing the local TLB is not enough
- Unlike memory caches, TLBs of different cores are not maintained coherent by hardware
- TLB coherence should be restored by the OS

■ TLB

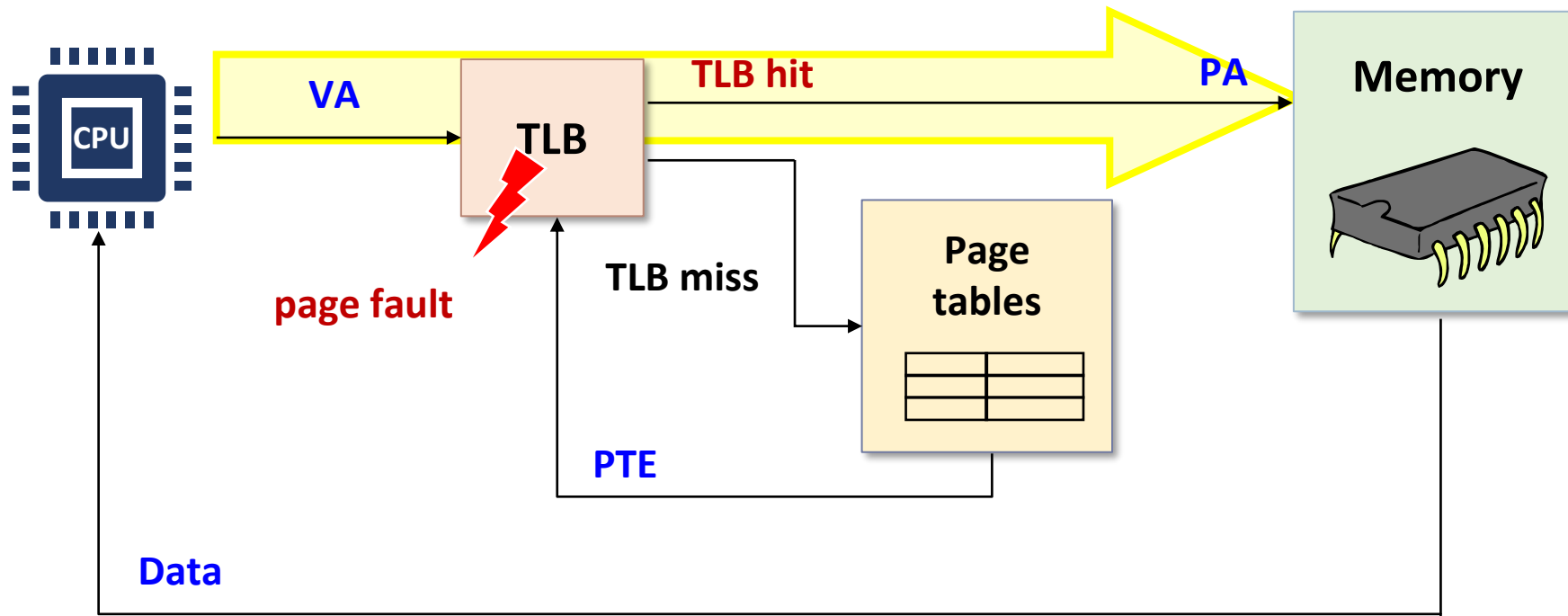
- The initiating core sends an IPI (Inter-Processor Interrupt) to the remote cores
- The remote cores invalidate their TLBs (may need to flush the entire TLB)
- The IPI may take several hundreds of cycles

TLB Performance

- TLB is the source of many performance problems
 - Performance metric: hit rate, lookup latency, ...
- Increase TLB _____ (= # TLB entries * Page size)
 - Use **superpages** (or **hugepages**): e.g., 2MB, 1GB page support in Intel 64
 - Increase the TLB size
- Use multi-level TLBs
 - e.g., Intel Haswell (4KB pages): L1 ITLB 128 entries (4-way), L1 DTLB 64-entries (4-way), L2 STLB 1024 entries (8-way)
- Change your algorithms and data structures to be TLB-friendly

From CPU to Memory

- A process is executing on the CPU, and it issues a read to a virtual address



Load Example

- The common case

- The load instruction goes to the TLB in the MMU
- TLB does a lookup using the page number of the address
- The page number matches, returning a PTE
- TLB checks the valid / protection bits in the PTE
- TLB validates that the PTE protection allows loads
- PTE specifies which physical frame holds the page
- MMU combines the physical frame and offset into a physical address
- MMU then reads from that physical address, returns value to CPU

On TLB Miss

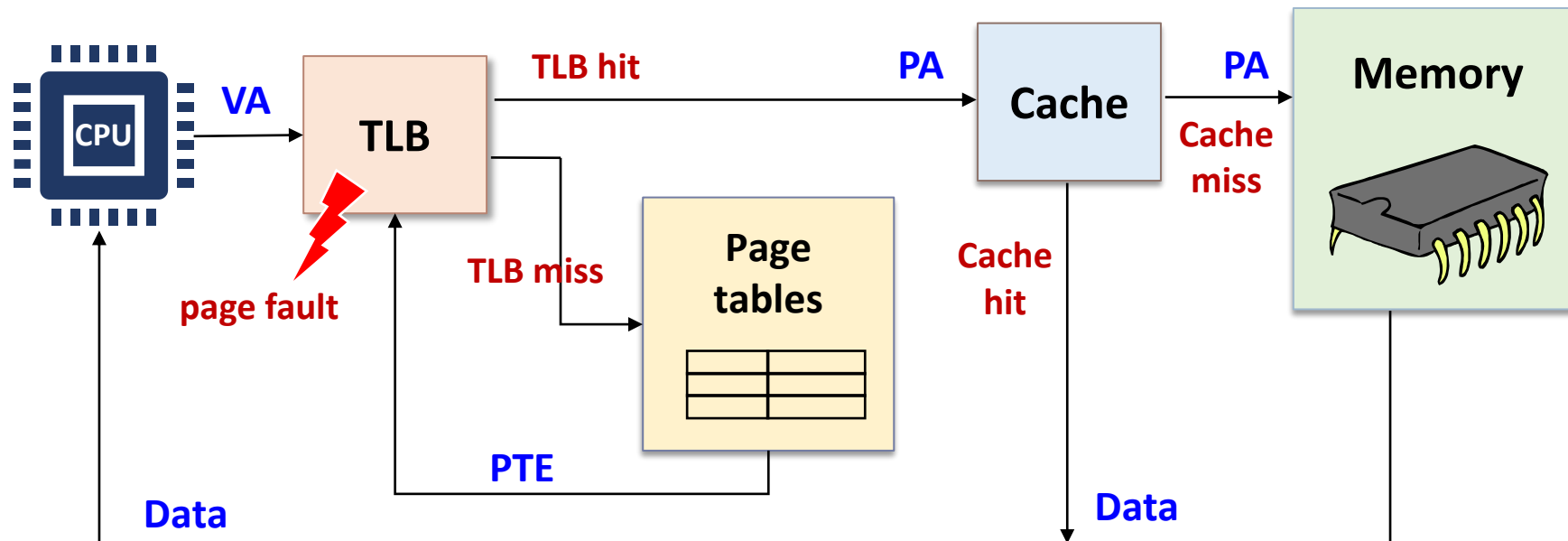
- **Hardware-managed TLB**
 - MMU loads PTE from page table in memory
 - OS has already set up the page tables so that the hardware can access it directly
 - OS is not involved in this step
- **Software-managed TLB**
 - Trap to the OS
 - OS does lookup in page tables, loads PTE into TLB
 - OS returns from exception
- **At this point, there is a valid PTE for the address in the TLB.**
- **TLB restarts translation**

On Page Faults

- PTE can indicate a page fault
 - Read/Write/Execute – operation not permitted on page
 - Invalid – virtual page not allocated or page not in physical memory
- TLB traps to the OS
 - Read/Write/Execute – OS usually will send fault back to the process, or might be playing tricks (e.g., copy on write, mapped files)
 - Invalid (Not allocated) – OS sends fault to the process (e.g., segmentation fault)
 - Invalid (Not in physical memory) – OS allocates a frame, reads from disk, and maps PTE to physical frame.

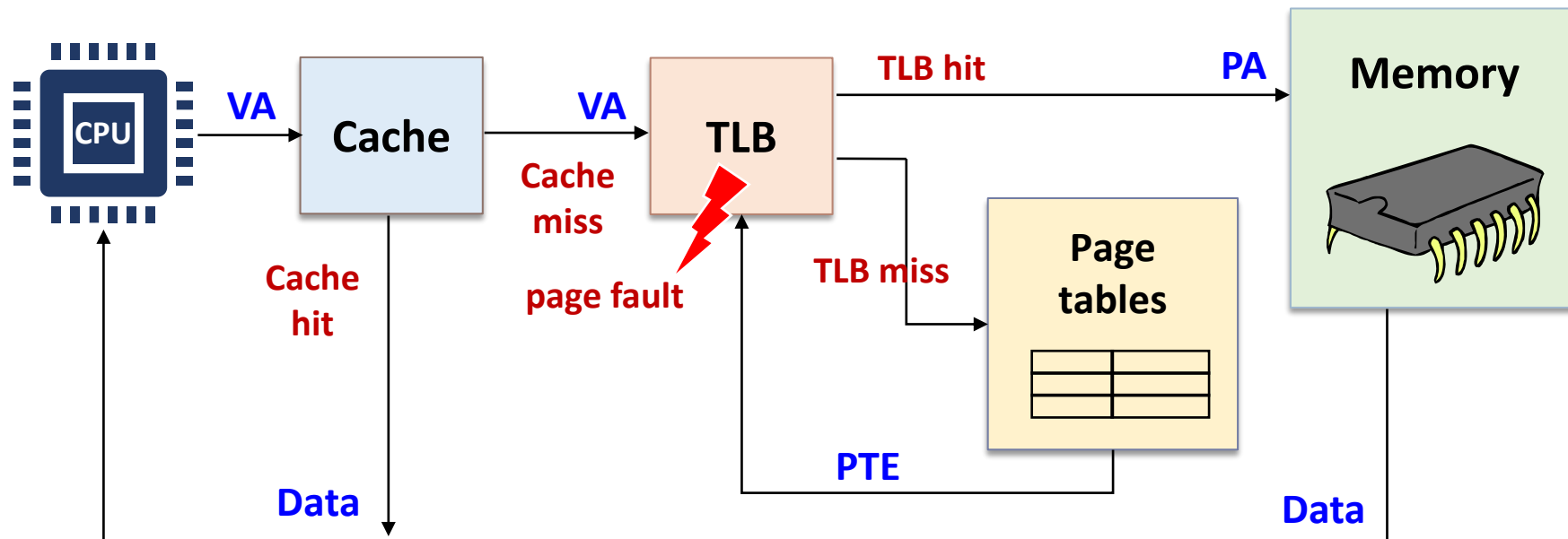
Integrating VM and Cache (I)

- Physically addressed cache
 - Allows multiple processes to have blocks in cache
 - Allows multiple processes to share pages
 - Address translation is on the critical path



Integrating VM and Cache (2)

- Virtually addressed, virtually tagged cache
 - _____ problem
 - Each process has a different translation of the same virtual address
 - Address _____ or aliases problem
 - Two different virtual addresses point to the same physical address



Integrating VM and Cache (3)

- Virtually addressed, physically tagged cache
 - Use virtual address to access the TLB and cache in parallel
 - TLB produces the PFN – which must match the physical tag of the accessed cache line for it to be a “hit”

